
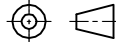


RELATED DOCUMENTS		3RD ANGLE PROJECTION		THIS DRAWING IS CONFIDENTIAL AND THE PROPERTY OF TURCK INC. USE OF THIS DOCUMENT WITHOUT WRITTEN PERMISSION IS PROHIBITED.		 3000 CAMPUS DRIVE MINNEAPOLIS, MN 55441 1-800-544-7769 (763) 553-7300 (763) 553-0708 fax www.turck.us	
1. 2. 3. 4.				DRFT	RDS	DATE	05/05/03
MATERIAL		ALL DIMENSIONS DISPLAYED ON THIS DRAWING ARE FOR REFERENCE ONLY		DSGN		SCALE	1=1.0
ALUMINUM		CONTACT TURCK FOR MORE INFORMATION		UNIT OF MEASUREMENT		DESCRIPTION	
FINISH				INCH [MILLIMETER]		CA18E-Q21	
				DO NOT SCALE THIS DRAWING		IDENTIFICATION NO.	
						A0871	
						REV	
						A	
						FILE: A0871	
						SHEET 1 OF 1	

A	DRAWING RELEASE	RDS	06/30/03	
REV	DESCRIPTION	BY	DATE	ECO NO.